



Installation instructions, accessories

Volvo Car Corporation Gothenburg, Sweden

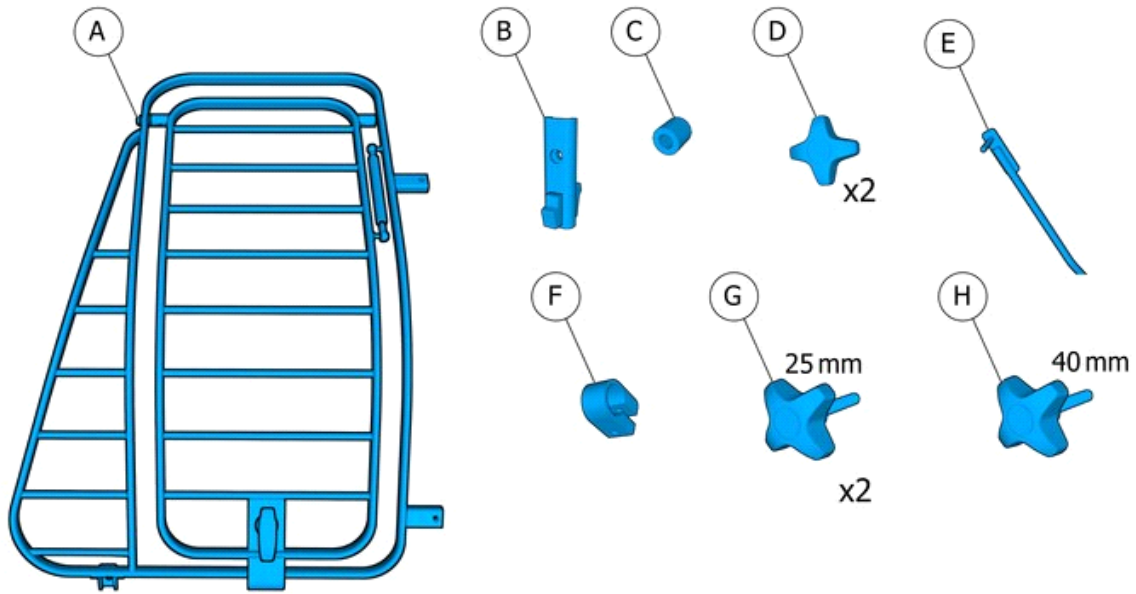
Instruction No	Version	Part. No.
31439134	1.0	31439134, 31439135

Load organiser, load compartment, dog gate



Installation instructions, accessories

Volvo Car Corporation Gothenburg, Sweden



IMG-411658



Installation instructions, accessories

Volvo Car Corporation Gothenburg, Sweden

Information

1

Read through all of the instructions before starting installation.

Notifications and warning texts are for your safety and to minimise the risk of something breaking during installation.

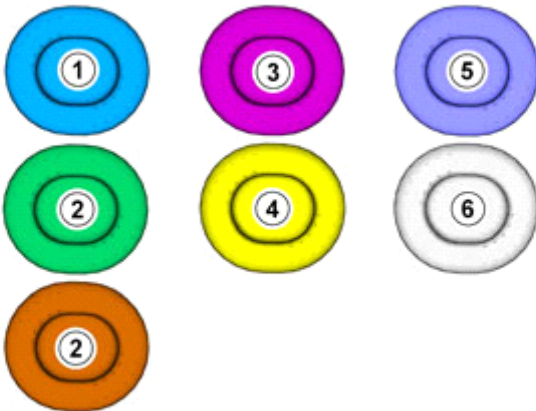
Ensure that all tools stated in the instructions are available before starting installation.

Certain steps in the instructions are only presented in the form of images. Explanatory text is also given for more complicated steps.

In the event of any problems with the instructions or the accessory, contact your local Volvo dealer.

Color symbols

2



IMG-363036

Note!

This colour chart displays (in colour print and electronic version) the importance of the different colours used in the images of the method steps.

- Used for focused component, the component with which you will do something.
- Used as extra colors when you need to show or differentiate additional parts.
- Used for attachments that are to be removed/installed. May be screws, clips, connectors, etc.
- Used when the component is not fully removed from the vehicle but only hung to the side.
- Used for standard tools and special tools.
- Used as background color for vehicle components.

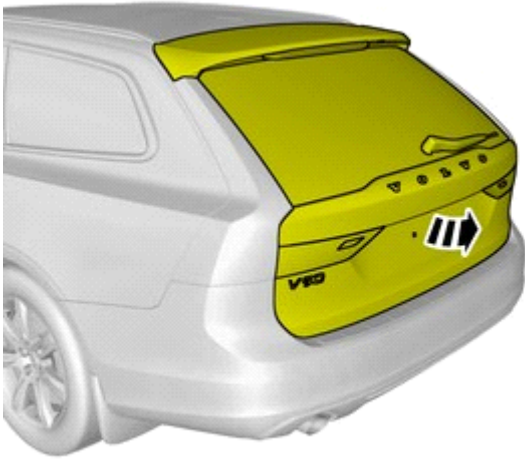
Preparation



Installation instructions, accessories

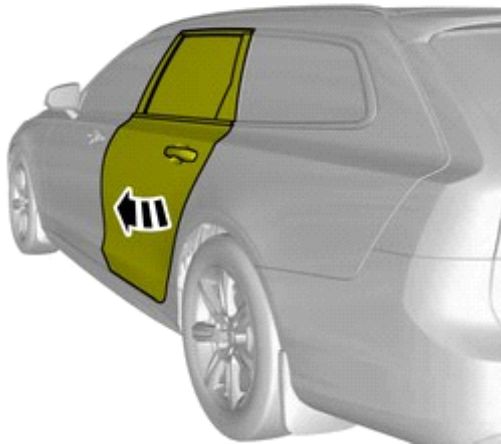
Volvo Car Corporation Gothenburg, Sweden

3



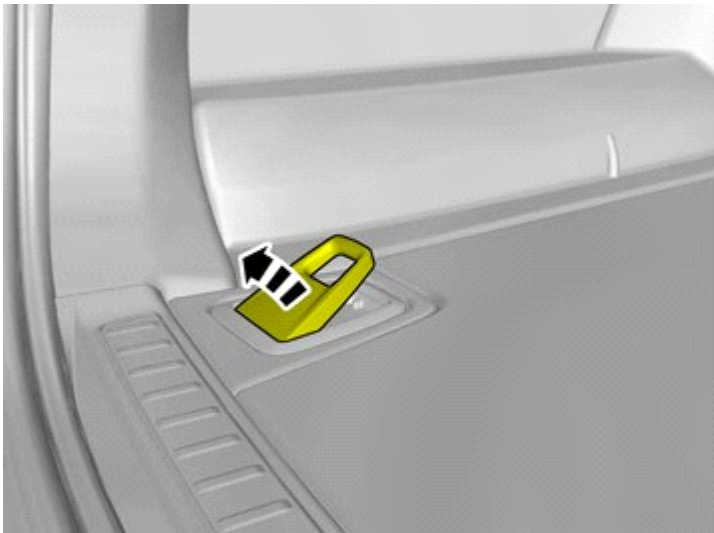
IMG-411624

4



IMG-411625

5



IMG-411651

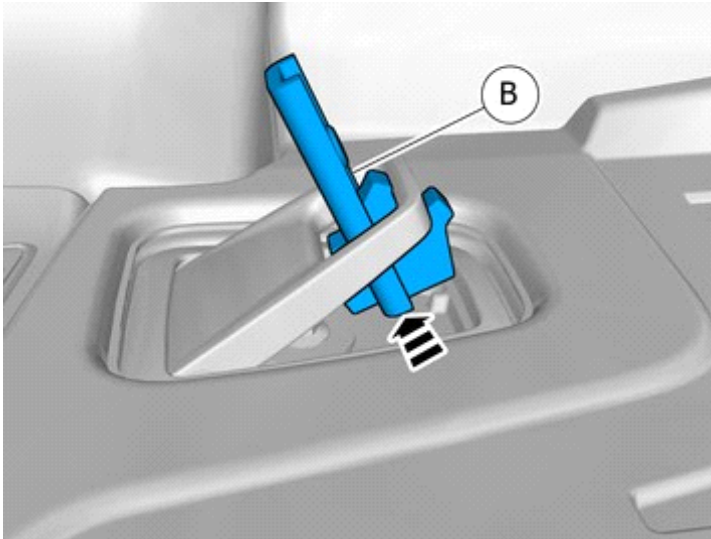


Installation instructions, accessories

Volvo Car Corporation Gothenburg, Sweden

Accessory installation

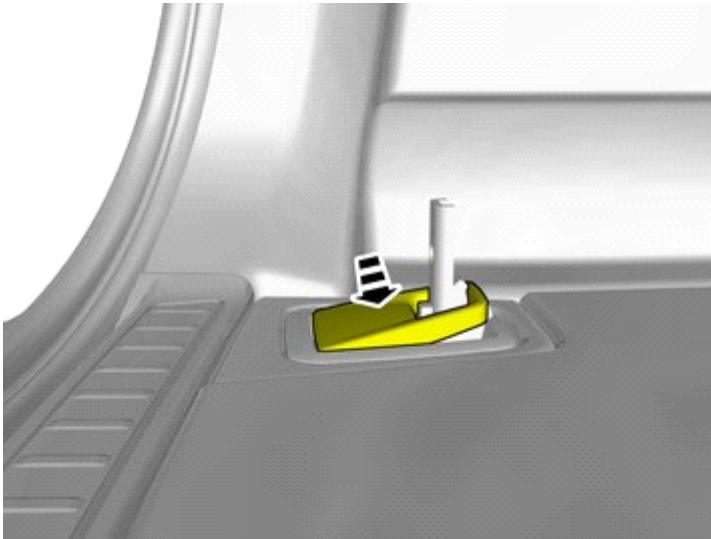
6



IMG-411659

Place the component where indicated in the graphic.

7



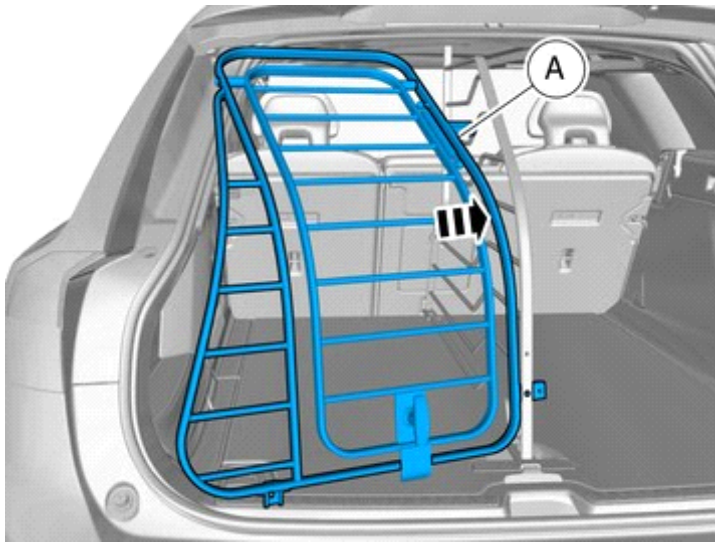
IMG-411806



Installation instructions, accessories

Volvo Car Corporation Gothenburg, Sweden

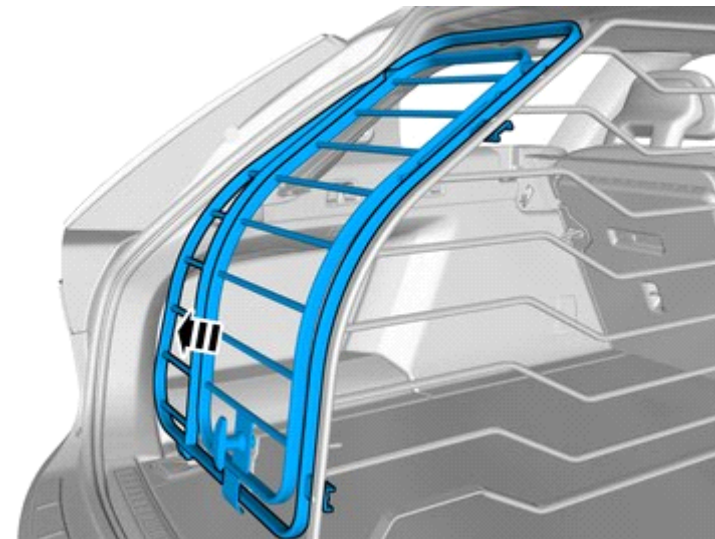
8



IMG-411805

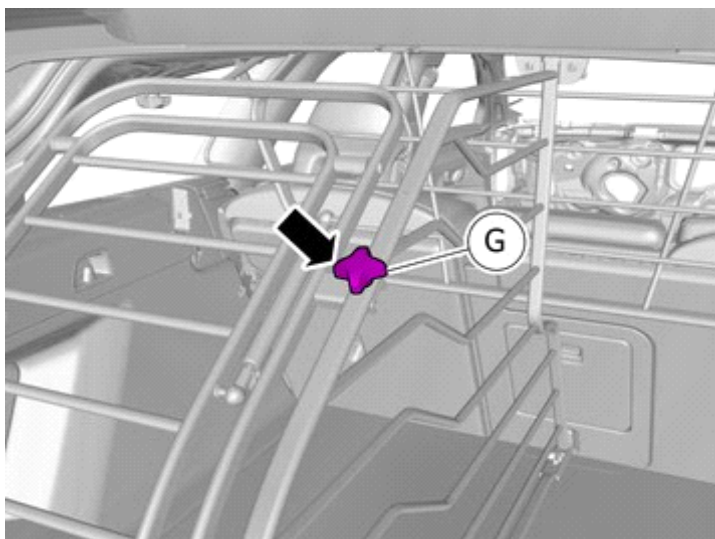
Place the component where indicated in the graphic.

9



IMG-411807

10



IMG-411808

Install component that comes with the accessory kit.

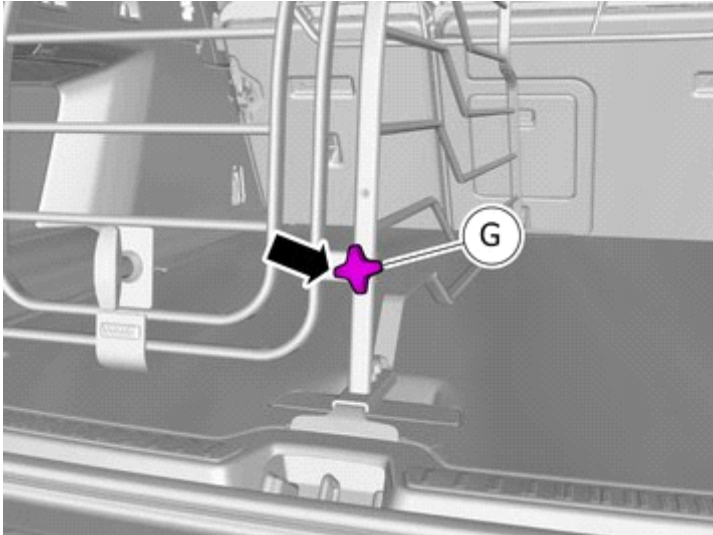
Install the screw.



Installation instructions, accessories

Volvo Car Corporation Gothenburg, Sweden

11

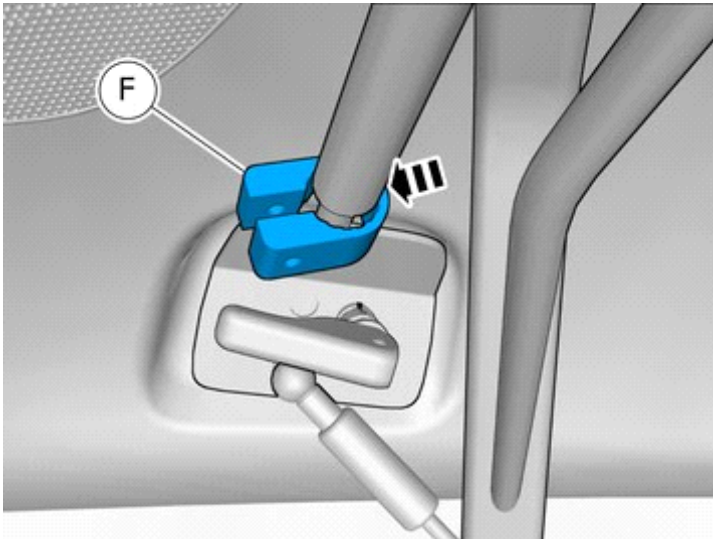


IMG-411809

Install component that comes with the accessory kit.

Install the screw.

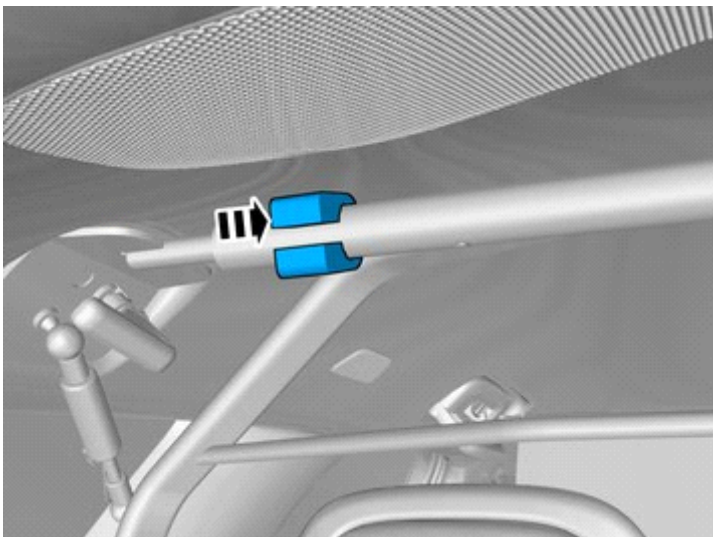
12



IMG-414561

Install component that comes with the accessory kit.

13



IMG-415936

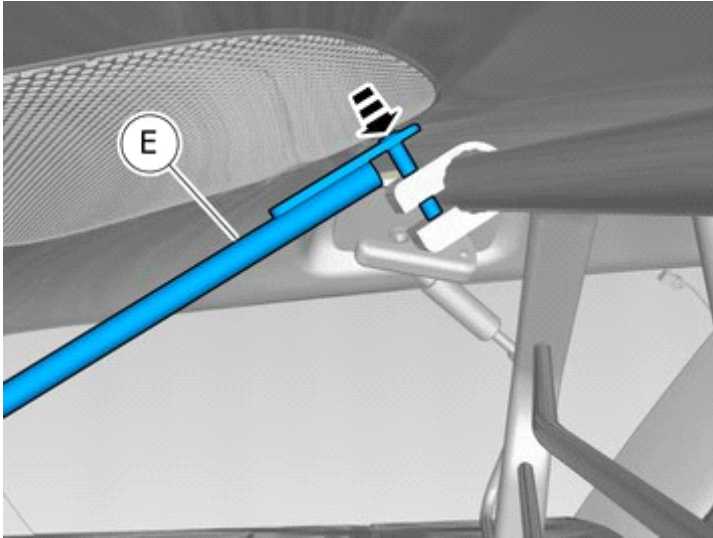
Place the component where indicated in the graphic.



Installation instructions, accessories

Volvo Car Corporation Gothenburg, Sweden

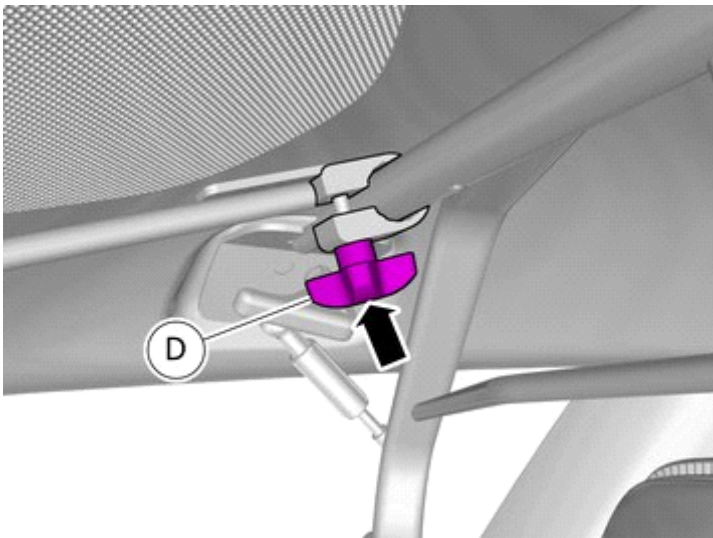
14



IMG-414565

Place the component where indicated in the graphic.

15



IMG-415935

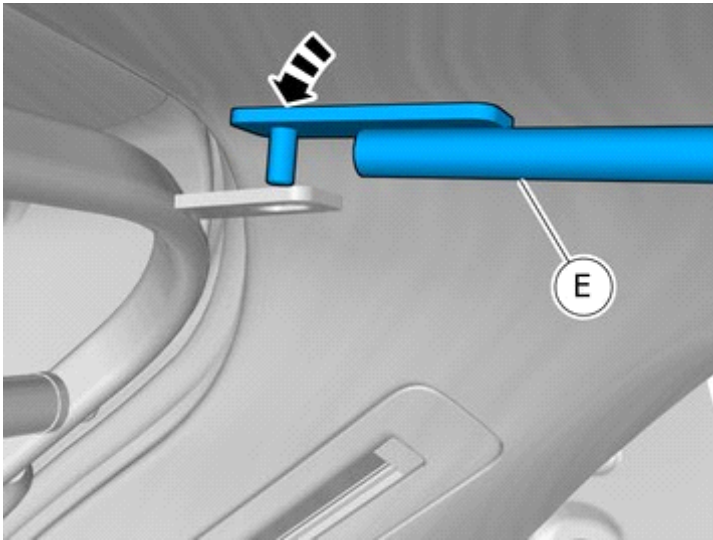
Install the nut.



Installation instructions, accessories

Volvo Car Corporation Gothenburg, Sweden

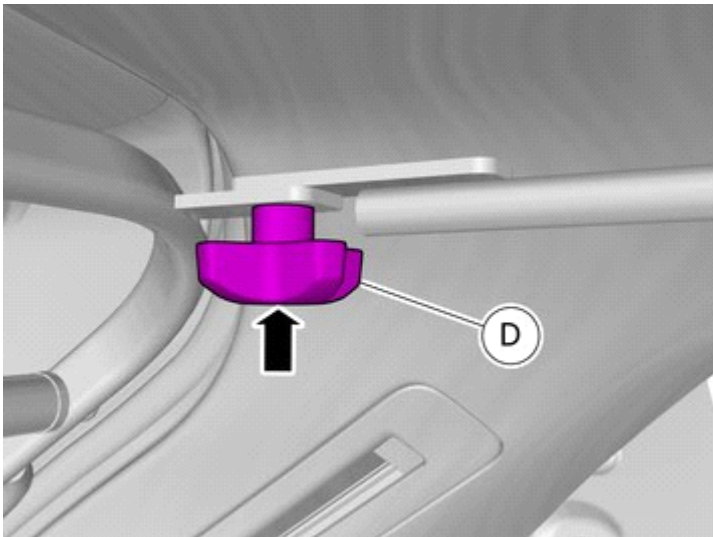
16



IMG-415939

Place the component where indicated in the graphic.

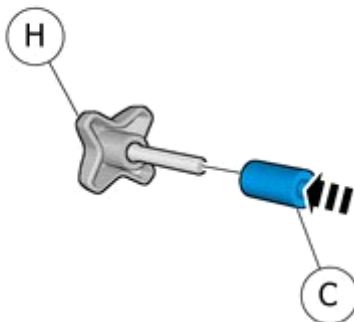
17



IMG-415938

Install the nut.

18



IMG-411810

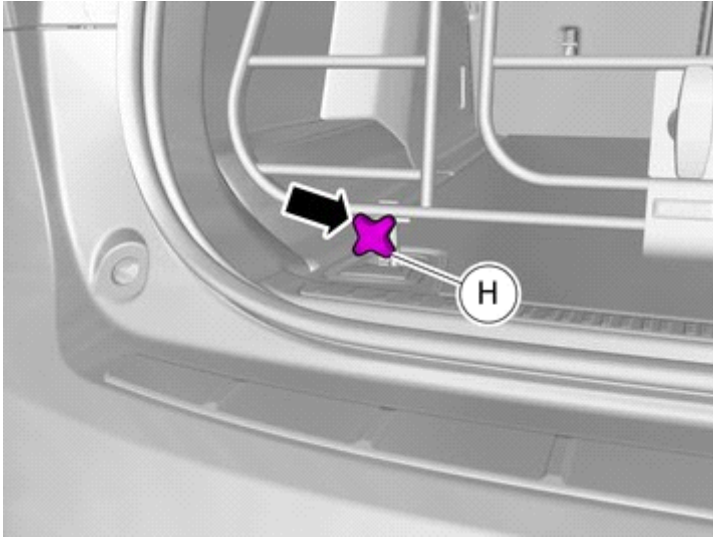
Place the component where indicated in the graphic.



Installation instructions, accessories

Volvo Car Corporation Gothenburg, Sweden

19

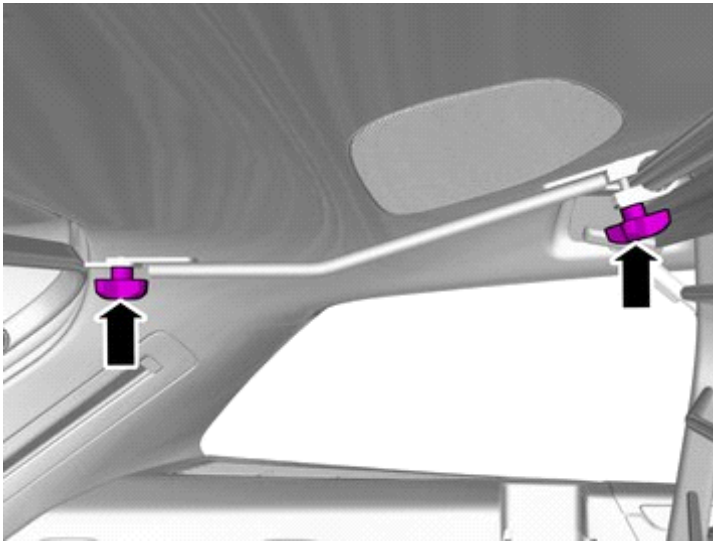


IMG-411811

Place the component where indicated in the graphic.

Install the screw.

20

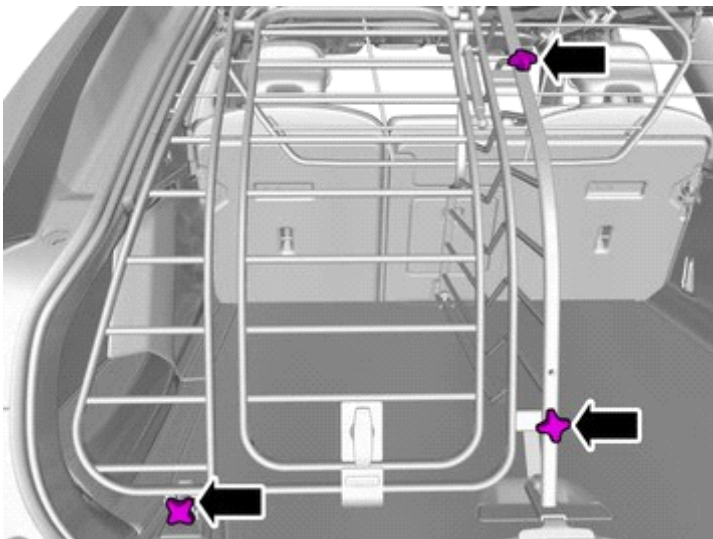


IMG-415940

Tighten the nuts.

Use hands only.

21



IMG-411813

Tighten the bolts.

Use hands only.



Installation instructions, accessories

Volvo Car Corporation Gothenburg, Sweden
